



Thermostats and Accessories

ST10 and ST207

Temperature Sensors

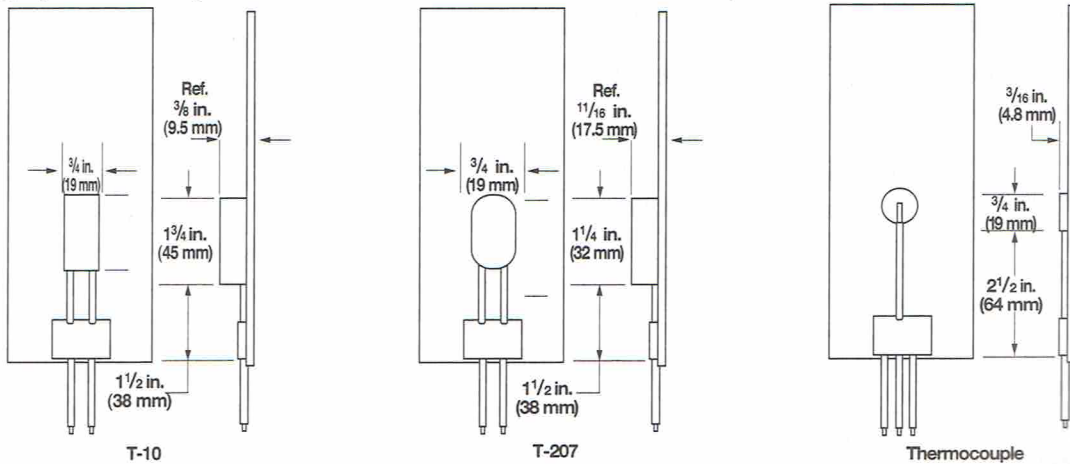
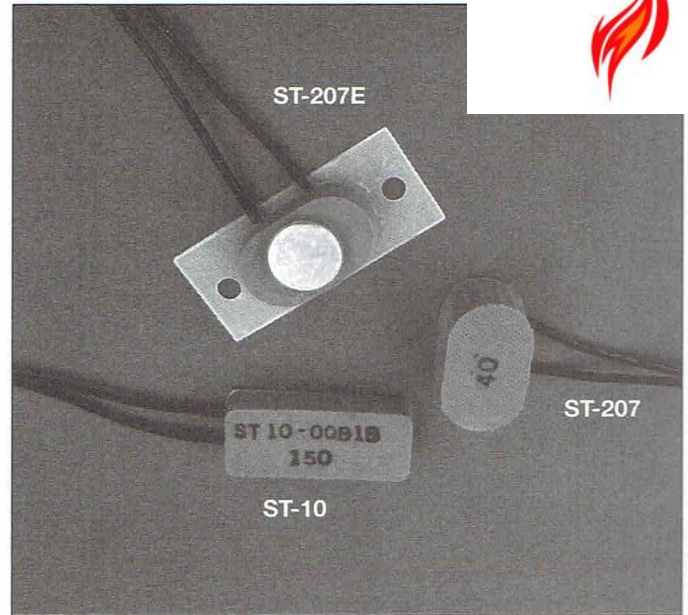
Watlow® offers several styles of sensors for use with flexible heaters. These sensors are available as preset or adjustable thermostats, thermocouples, thermistors, RTDs or thermal fuses. They can be integrally mounted (encapsulated in silicone rubber) to sense the temperature of either the part or the heater sheath. The thermostats can also be ordered separate from the heater, allowing direct control of your process temperature, if desired.

Pre-Set Thermostats

Several styles of non-adjustable, pre-set thermostats are available from Watlow. Thermostats separate from the heater are encapsulated in silicone rubber, and are available with standard 12 in. (305 mm) leads unless otherwise specified.

Thermocouples, thermistors, RTDs and thermal fuses are usually mounted to the heater under a vulcanized protective cap of silicone rubber sheath material. This drawing shows a typical mounting style for a thermocouple.

Note: Precise part temperature control with preset thermostats requires prototyping and field testing.



Pre-Set Thermostats (Non-Adjustable)

Thermostat Model	Maximum Watts	Volts AC	Temperature Settings Available °F (°C)	Agency Approvals		
				UR	cUR	VDE
T-10	600/960	120/240	125-300±10 (50-149±5)	yes	yes	yes
T-207	1500	120/240	40/55±8 (4/13±4.4)	yes	yes	yes
	1500	120/240	60/75±8 (16/24±4.4)	yes	yes	yes
	1500	120/240	95/110±8 (35/43±4.4)	yes	yes	yes
	1500	120/240	145/160±8 (63/71±4.4)	yes	yes	yes

Notes:

- When ordering a pre-set thermostat separate from the heater, simply add the prefix **S** to the model number. (Example: ST-10) See next page.
- Snap action preset temperatures on the T-207 are close/open settings.
- T-10 thermostats are manufactured for specific preset temperatures. Available in 25°F increments.
- Other temperature ranges and voltages are available on special order. Minimum quantities apply, contact your Watlow representative before ordering.

Thermostats and Accessories



ST10 and ST207

Temperature Sensors (Continued)

Adjustable Thermostats

The B-200 thermostat features a maximum rating of 1500 watts at 120/240V~(ac). The following temperature ranges are available:

- Model B-200-2: 100 to 500°F (40 to 260°C)
- Model B-200-3: 25 to 330°F (-5 to 165°C)

The B-200 thermostat can be integrally mounted to the heater with a bonded protective cap of silicone rubber sheath material.

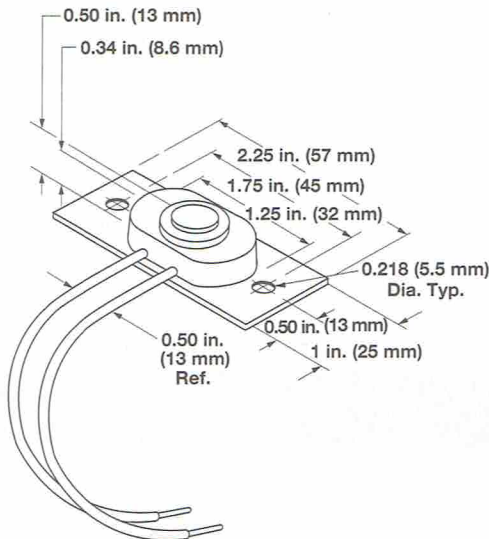
Separate Heater Accessories Available From Stock

Pre-Set Thermostats Separate From Heater

These are offered to allow direct control of your process temperature, so you're not limited to controlling only the heater temperature when using stock heaters. Pre-set thermostats are encapsulated in silicone rubber with standard 12 inch leads.

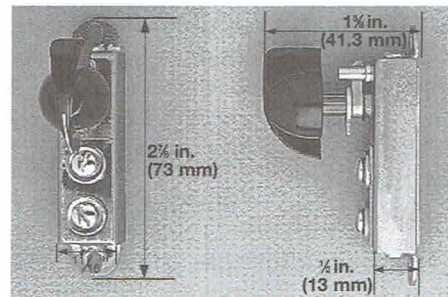
The same temperature ranges, ratings and sizes are available on these thermostats. When ordering, add "S" prefix to the model number to indicate "separate" item. (Examples: ST-10 and ST-207)

Standard leads are 12 in. (305 mm) 18 gauge UL®1180 black leads.



Note: For direct control of air temperature as is required in enclosure heating applications, specify thermostat model number ST-207E. This is a modified ST-207 mounted on 1/2 inch thick G-10 circuit board with the thermostat's metal cap exposed to sense air temperature.

Adjustable Thermostats Separate From Heater



B-200

The Model B-200 adjustable thermostat can be ordered as a separate item. The same model numbers and temperature ranges indicated under *Adjustable Thermostats* are available. When ordering, simply note that you want the **B-200 separate** from the heater.



Sales@ptsheat.com

Dave Farmery
Ben Midulla

Toll Free Phone/Fax

844-787-4328
844-PTS HEAT

www.PhoenixThermalSupply.com