



## Cable Heaters

### Versatile, Standard Cable Heaters

The versatile Watlow cable heater can be formed to a variety of shapes as dictated by its many applications. Cable heaters are small diameter, high performance units, fully annealed and readily bent to a multitude of configurations.

The heater can be formed into a compact coiled nozzle heater for use on plastic injection molding equipment supplying a full 360 degrees of heat with optional distributed wattage. A straight cable can snake through a sealing bar in packaging equipment. Flat spiral configurations are used in semiconductor manufacturing while a star wound cable is used for air and gas heating.

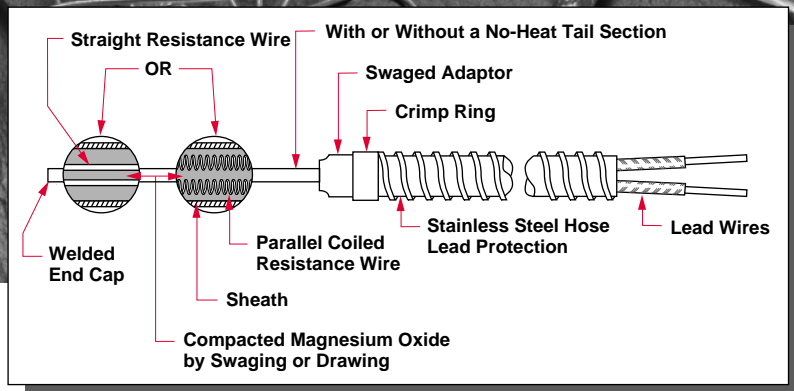
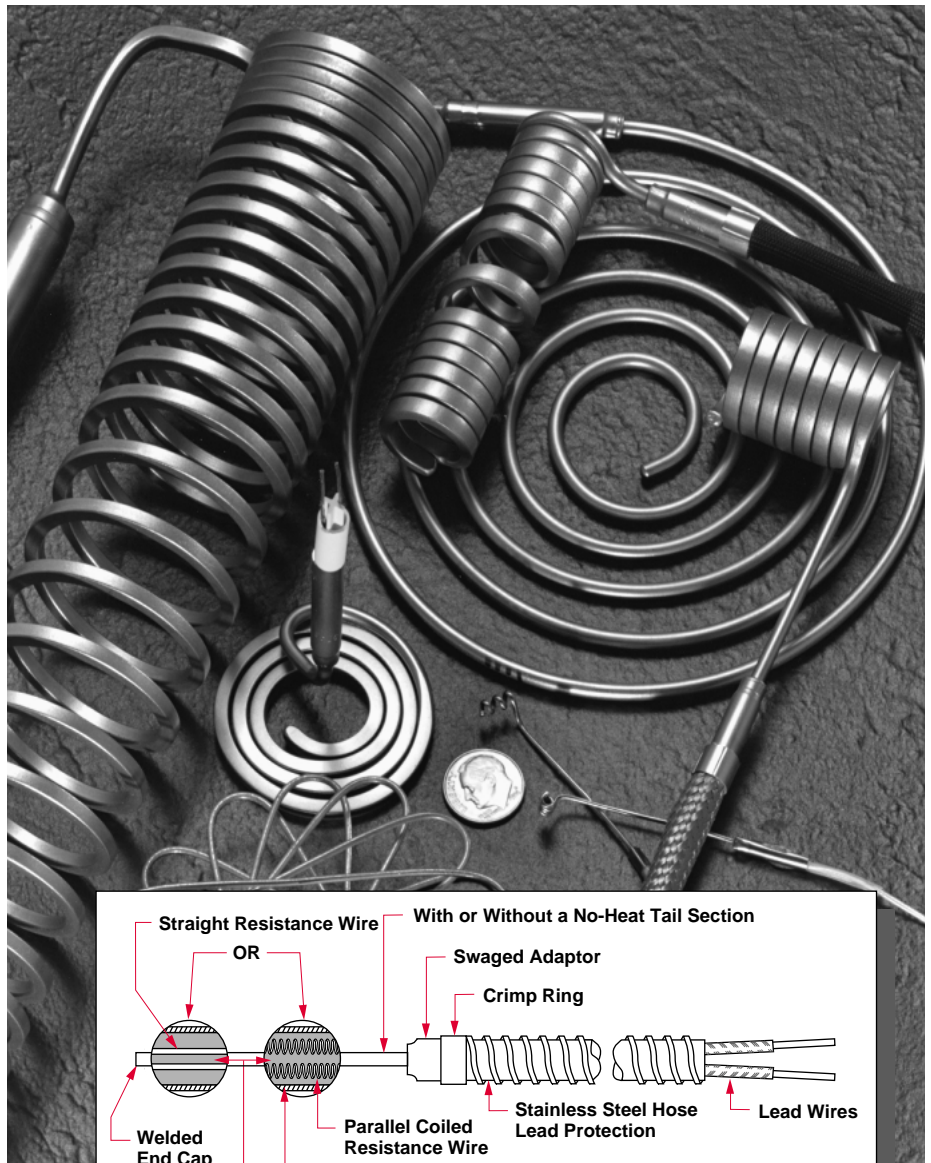
Different applications require different construction methods, including one, two, three or four resistance wires; parallel coil or straight wire; drawn or swaged sheaths; with or without internal thermocouples; leads exiting from one or both ends, and round, rectangular or square cable sheaths. Whatever the application, the Watlow cable heater can be shaped to fit your application needs.

#### Performance Capabilities

- Continuous operating temperatures to 1200°F (650°C) with intermittent operating periods achieving up to 1500°F (815°C). Dependant on type of element wire used.
- Sheath watt densities on the cable to 30 W/in<sup>2</sup> (4.65 W/cm<sup>2</sup>), and as high as 75 W/in<sup>2</sup> (11.62 W/cm<sup>2</sup>) within factory approved conditions.

#### Features and Benefits

- **High ductility** allows the heater to be cold-formed into almost any shape.
- **The heater's low mass** allows for quick response to both heating and cooling.



- **The heater can be isolated or sealed from the process environment** with optional compression fittings or HTF adaptor seals. Cable heaters are constructed with no open seams. Optional testing is available to guarantee the integrity of all surfaces and seams.
- **Standard 304 stainless steel,** or optional 316L stainless steel or Inconel® 600, provide high

temperature corrosion and oxidation resistance along with ideal thermal expansion properties.

- **The heater sheath can be brazed** allowing the permanent attachment of mounted fittings to the heater. Consult factory for additional information.

Inconel® is a registered trademark of Special Metals Corporation.



## Cable Heaters

### Versatile, Standard Cable Heaters

#### Features

Continued

- **Ranging from 0.040 inch (1 mm) to 0.188 inch (5 mm) diameter**, the cable heater packs a lot of heat into a tiny space. Lengths range from ¾ inch (19 mm) to over 70 feet (2134 cm).
- **Internal construction options** allow internal thermocouples and no-heat sections. (Not available in all sizes.)
- **Cable heaters can operate in unusual environments**, including cryogenic and sub-freezing temperatures, high vacuum, and gaseous and liquid immersion conditions.

#### Applications

- Plastic injection molding nozzles
- Semiconductor manufacturing and wafer processing
- Hot metal forming dies and punches
- Sealing and cutting bars
- Medical, analytical and scientific instruments
- Restaurant and food processing equipment
- Cast-in heaters
- Laminating and printing presses
- Air heating
- Textile manufacturing
- Heating in a vacuum environment

### Electrical Data and Coiling Limits

Sheath Diameter		Maximum Voltage	Surface Area Per Linear Foot		Minimum Bend Radius		Minimum Coiled Inside Diameter	
inches	(mm)		in	(cm)	in	(mm)	in	(mm)
0.040 ± 0.002	(1.016 ± 0.051)	48	1.51	(9.743)	⅛	(1.588)	⅛	(3.175)
0.062 ± 0.002	(1.575 ± 0.051)	120	2.34	(15.098)	⅛	(3.175)	¼	(6.350)
0.058 ± 0.002	(1.473 ± 0.051)	240	2.18	(14.065)	⅛	(3.175)	¼	(6.350)
0.094 + 0.002 - 0.003	(2.388 + 0.051 - 0.076)	240	3.54	(22.840)	⅜	(4.763)	⅜	(9.525)
0.102 square ± 0.003	(2.591 ± 0.076)	240	4.90	(31.615)	¼	(6.350)	½	(12.700)
0.103 ± 0.003 x	(2.667 ± 0.076) x							
0.153 ± 0.005 rectangular	(3.886 ± 0.127)	240	6.19	(39.938)	¼	(6.350)	½	(12.700)
0.125 ± 0.003	(3.175 ± 0.076)	240	4.71	(30.389)	¼	(6.350)	½	(12.700)
0.157 ± 0.004	(3.998 ± 0.102)	240	5.92	(38.196)	⅜	(7.938)	⅜	(15.875)
0.188 + 0.003 - 0.006	(4.775 + 0.076 - 0.152)	240	7.09	(45.745)	⅜	(9.525)	⅜	(19.050)
0.128 square ± 0.003	(3.353 ± 0.076)	240	6.31	(40.712)	¼	(6.350)	½	(12.700)

In most cases 30 W/in<sup>2</sup> (4.65 W/cm<sup>2</sup>) is the safe allowable limit for cable watt density. Please consult factory before ordering >30 WSI cables.

**Standard Resistance/Wattage Tolerance ±10 percent.**

Cable heaters can run on both ac and dc, 50 or 60Hz. Consult factory for amperage limitations.

### Coiling Tolerances

Cable Diameters	Standard Coiled Width Tolerances		Standard Coiled I.D. Tolerances			
	Coiled Width inches (mm)	Tolerances inches (mm)	Coil I.D. Range inches (mm)		Tolerances inches (mm)	
All Diameters	Below 6 (152.4)	+ 0 - ⅛ (+0.000 - 3.175)	Below 0.625	(Below 15.875)	+0.000 - 0.015	(+0 - 0.381)
	6 to 10 (152.4 to 254.0)	+ ⅛ - ⅜ (+3.175 - 9.525)	0.625 to 0.999	(15.875 to 25.375)	+0.000 - 0.030	(+0 - 0.762)
	Over 10 (Over 254.0)	+ ¼ - ½ (+6.350 - 6.350)	1.000 to 1.999	(25.400 to 50.775)	+0.000 - 0.062	(+0 - 1.575)
			2.000 to 2.999	(50.800 to 76.175)	+0.000 - 0.125	(+0 - 3.175)
			3.000 to 3.999	(76.200 to 101.575)	+0.000 - 0.250	(+0 - 6.350)
			4.000 to 4.999	(101.600 to 126.975)	+0.000 - 0.375	(+0 - 9.525)
			5.000 and Over	(127.000 and Over)	+0.000 - 0.500	(+0 - 12.700)

When the O.D. of the coil is required to be the critical dimension, this fact must be specified at the time of ordering so that proper coiling procedures can be determined. I.D. and O.D. dimensions cannot be held on the same unit. Please consult with the factory before ordering coiled cable heaters requiring other than standard tolerances.

### Cable Straight Length Tolerances

Length	≤24"	>24"≤60"	>60"≤100"	>100"
Tolerance	±⅜"	±½"	±1"	±1%



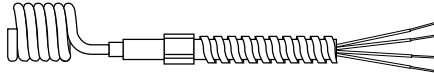
# Cable Heaters

## Versatile, Standard Cable Heaters Formation Options

### Standard Coil

The standard coil can be tight wound, open pitch or anything in between.

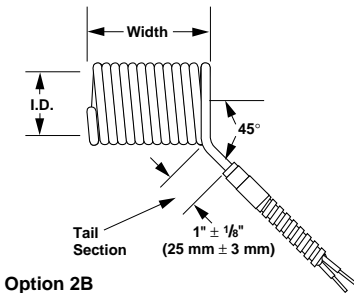
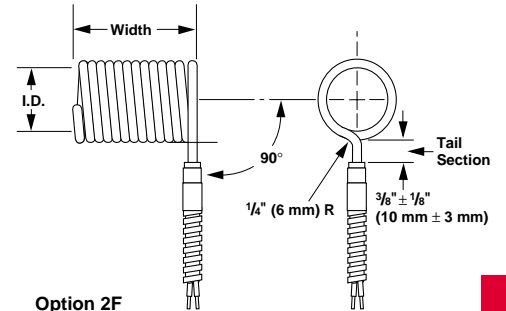
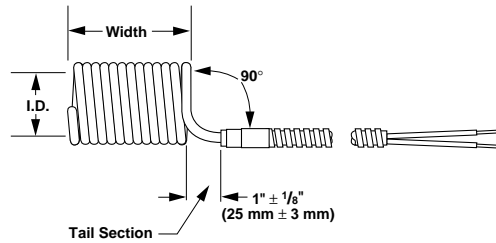
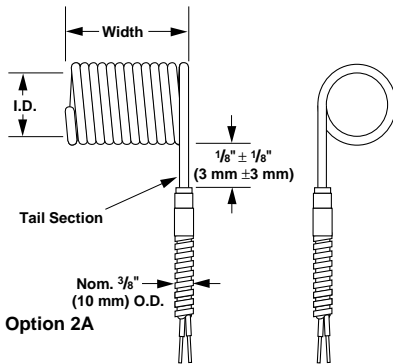
#### Closed Coil without Distributed Wattage



#### Closed Coil with Distributed Wattage

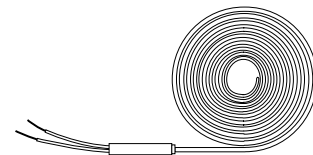


### Lead Orientation Options for Coiled Cable Heaters



### Flat Spiral

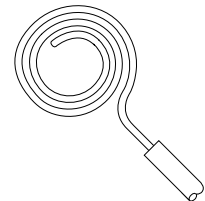
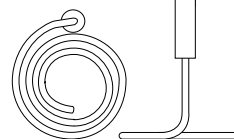
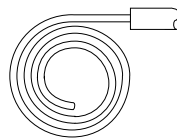
Flat spiral formations are used to heat flat circular surfaces. This formation is often used in semiconductor and medical applications.



#### Flat Spiral with 2A Type Lead Orientation

#### Flat Spiral with 2C Type Lead Orientation

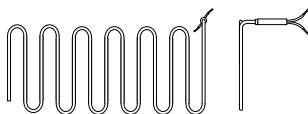
#### Flat Spiral with 2F Type Lead Orientation



### Sinuated

Sinuated cable heaters provide an alternative to the flat spiral coil heater, allowing greater coverage of

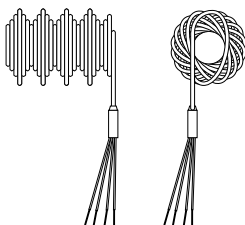
flat rectangular surfaces. The sinuated formation can also be curved to heat cylindrical shapes. This formation is often used in radiant heating applications.



### Star Wound

Star wound formations are usually inserted into pipes or ducts and are used to heat moving air or liquids. The offset coils increase/induce

turbulent flow. This allows the flowing material to have better contact with the heater surface, resulting in a more efficient heat transfer.



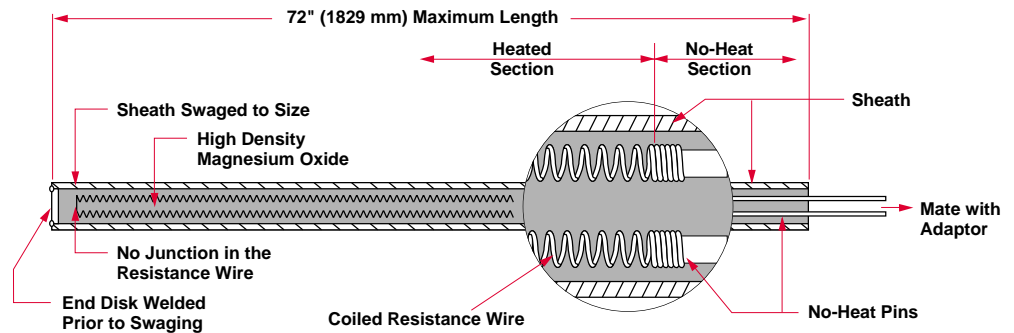


# Cable Heaters

## Versatile, Standard Cable Heaters

### Standard Internal Construction

#### Sheath with Coiled Internal Resistance Wire



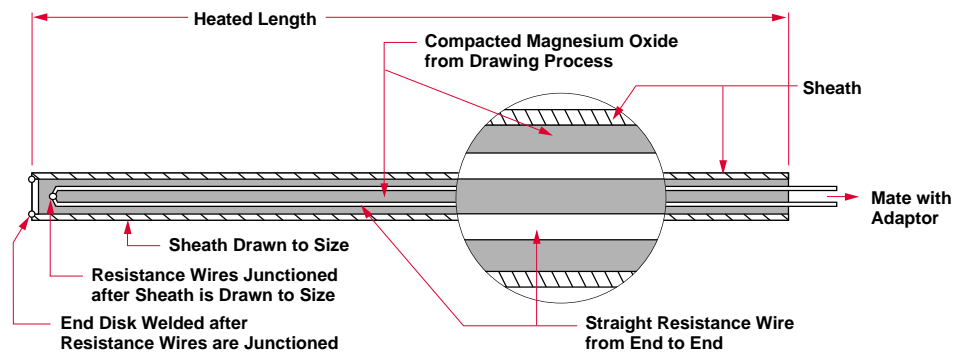
Parallel Coil Construction

Resistance wire, wound into a small coil, is loaded into insulating cores, then into metal tubing and swaged to final size. This method of construction is called **parallel coil**. The parallel coil method allows for a no-heat section in the sheath. The length of either the heated section or no-heat section is variable as long as the combined length does not exceed 72 inches (1830 mm). Other

features of this construction method include:

- Variable ohms/foot within a minimum and maximum range
  - Variable location of the thermocouple junction
  - Grounded or ungrounded thermocouple junction
  - No-heat sections
  - 304 stainless steel, 316L stainless steel or Inconel® 600 sheath material
- A variety of diameters and shapes:
    - 0.058 inch (1.473 mm) round
    - 0.094 inch (2.387 mm) round
    - 0.125 inch (3.175 mm) round (min. dia. with internal thermocouple)
    - 0.102 (2.591 mm) inch square
    - 0.128 inch (3.251 mm) square
    - 0.103 inch X 0.153 inch (2.616 mm X 3.886 mm) rectangular

#### Sheath with Straight (Uncoiled) Resistance Wire



Drawn Cable Construction

Uncoiled resistance wires are positioned inside a large diameter metal tube. The tube assembly is repeatedly pulled through draw dies until the desired diameter is achieved. Though limited to fixed incremental ohms/foot and without no-heat sections, this **drawn cable** construction method does allow:

- Essentially no limit on cable length
- Thermocouple junction only at the disk end of the sheath
  - Grounded or ungrounded thermocouple junction
  - Sheath heated from end to end
  - 304 stainless steel, 316L stainless steel or Inconel® 600 sheath material
  - A variety of diameters and shapes:
    - 0.040 inch (1.016 mm) round



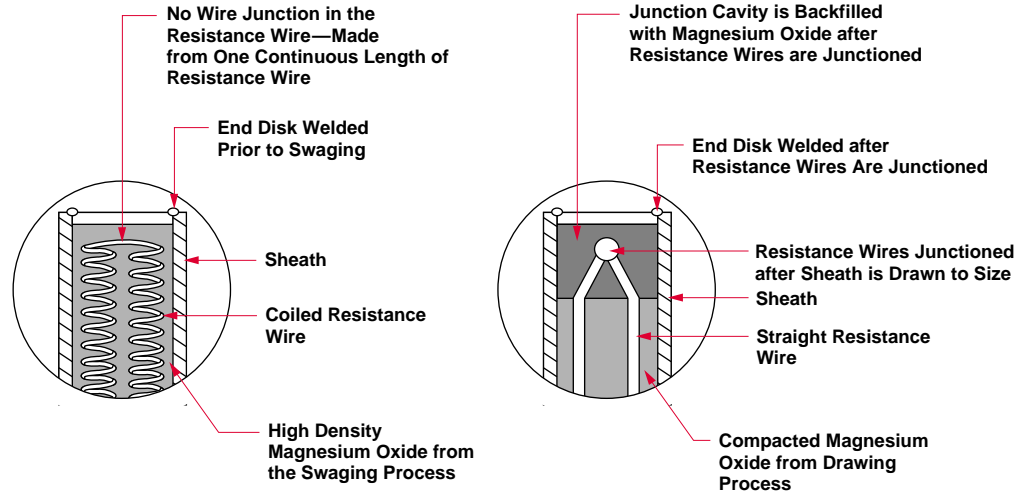
## Cable Heaters

Versatile, Standard Cable Heaters

### Options

#### Internal Construction

#### Disk End of Sheath



The end of the heater sheath opposite from the lead end is called the disk end.

With parallel coil construction methods, the internal resistance wires form a 180 degree bend inside the sheath and, so, do not require a junction. After the end cap has been welded in place, the entire area at the end of the sheath is swaged to provide maximum density of the magnesium oxide.

With drawn cable construction, the internal wires, whether resistance or thermocouple, must be junctioned before the heater sheath can be finished. Magnesium oxide is removed from the tip of the sheath, exposing the wires which are then junctioned by welding. Magnesium oxide powder is backfilled into the cavity surrounding the junctioned wires and lightly compacted. The end cap is inserted and welded into place.

#### Thermocouples

Internal thermocouples are available in ASTM Type J or K calibration with both the parallel coil or drawn cable construction methods.<sup>①</sup>

##### Parallel Coil:

- 0.125 inch round
- 0.128 inch X 0.128 inch square
- 0.103 inch X 0.153 inch rectangular

##### Drawn Cable:

- 0.125 inch round
- 0.157 inch round
- 0.188 inch round
- 0.128 inch X 0.128 inch square
- 0.103 inch X 0.153 inch rectangular

External thermocouples with Type J or K calibration can be spot welded or brazed to the heater sheath. The sheath size must be a minimum of 0.094 inch in diameter. Hose clamps can more easily be used to secure the thermocouple.

<sup>①</sup> Other thermocouple types available. Consult factory.



## Cable Heaters

### Versatile, Standard Cable Heaters

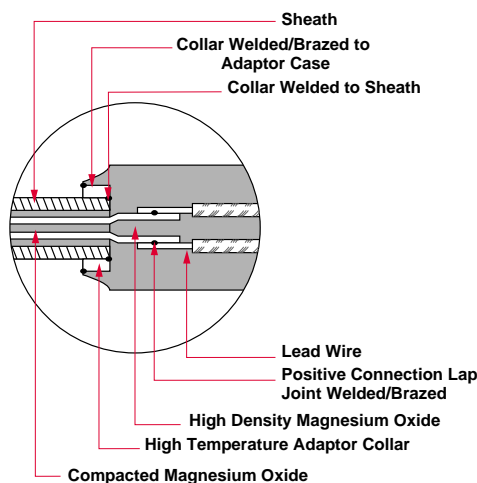
#### Options

##### Internal Construction

Continued

#### Adaptors

Adaptors are the transition sections where the lead wires are attached to the heater sheaths. The lead wires are connected with the internal wires from the sheath.



The **positive connection** lap joint brazes or welds the wire lap joint before the adaptor is swaged. Positive connection is used in all standard applications and provides added protection in high temperature environments and other severe and demanding applications.

An extended length adaptor collar, or **high temperature** collar, is used as a heat sink allowing the heater to be operated in high temperature and other demanding applications.

The positive connection and collar are used in conjunction with both power leads and thermocouple leads.

##### External Construction

#### Lead Wire:

100 percent nickel, copper, nickel plated copper or silver plated copper.

**Insulation:** Teflon®, fiberglass, or a high temperature variety such as MGT or MGE.

Consult factory for other wire options.

#### Lead Protection:

Stainless steel hose, stainless steel braid or fiberglass braid.

Consult factory for details.

#### Special Fittings

- VCR® and VCO® vacuum fittings or similar
- Ultra-Torr® compression fittings or similar

- Threaded screw headers
- Flanges
- Heat sinks

Consult factory for details.



# Cable Heaters

F.O.B.: St. Louis, Missouri

## Versatile, Standard Cable Heaters

### How to Order

To order your stock cable heater, specify:

- Wattlow code number and/or voltage and wattage specifications
- Forming options (required information):
  - Straight** - standard option unless otherwise specified
  - Nozzle** - coil I.D., coil width, lead orientation
  - Distributed nozzle** - coil I.D., coil width, lead orientation, number of zones
  - Sinuated** - height, width, bend radius, lead orientation

- **Starwound** - coil O.D., coil width, lead orientation
- **Flat spiral** - spiral I.D., spiral width, lead orientation
- Lead wire options (required information):
  - Standard** - 14 inch crimped-on fbg unless otherwise noted
  - Fiberglass** - various lengths available
  - Teflon®** - various lengths available
- Lead protection options (required information):
  - Standard** - 12 inch crimped-on stainless steel hose unless otherwise noted
  - SS hose** - various lengths available
  - SS braid** - various lengths available

- **Fiberglass braid** - various lengths available
- Internal thermocouple option: Type J thermocouple  
See stock product list for available units.
- Special adders  
If the stock units do not meet application needs, consult factory for a quote on made-to-order units.

### Availability

**Stock:** Straight units can be formed on request requiring one to two working days, contingent upon quantity and required options.

**Made-to-Order:** Delivery dependent on complexity of order. Consult factory for price and delivery quotations.

### Cable Heater Stock Units (Internal Thermocouple Not Available)

Straight Cable Length in (mm)	Volts	Watts	Watt Density W/in <sup>2</sup> W/cm <sup>2</sup>	No-Heat Length in (mm)	Lead Wire	Lead Protection	Code Number
<b>0.062-inch Diameter Round</b> (with ±10 percent wattage tolerance)							
24 (609.6)	120	240	51 (7.9)	0.00 (0.00)	14" (355.6 mm)	12" (304.8 mm)	<b>62H24A6X</b>
36 (914.4)	120	400	57 (8.8)	0.00 (0.00)	Fiberglass	SS hose	<b>62H36A5X</b>
56 (1422.4)	120	330	30 (4.7)	0.00 (0.00)	unless otherwise specified	unless otherwise specified	<b>62H56A4X</b>
65 (1651.0)	120	500	39 (6.0)	0.00 (0.00)			<b>62H65A3X</b>
<b>0.094-inch Diameter Round</b> (with ±5 percent wattage tolerance)							
30 (762.0)	230	125	17 (2.6)	5.00 (127.00)	36" (914.4 mm)	Lead protection not available	<b>94PC30A1X</b>
30 (762.0)	230	250	34 (5.3)	5.00 (127.00)	swaged-in Teflon® leads only		<b>94PC30A2X</b>
<b>0.125 inch Diameter Round</b> (with ±10 percent wattage tolerance)							
18 (457.2)	240	250	35 (5.4)	1.50 (38.10)	14" (355.6 mm)	12" (304.8 mm)	<b>125CH18A4X</b>
19 (482.6)	120	165	21 (3.3)	1.50 (38.10)	Fiberglass	SS hose	<b>125CH19A1X</b>
24 (609.6)	120	275	29 (4.5)	1.50 (38.10)	unless otherwise specified	unless otherwise specified	<b>125CH24A1X</b>
24 (609.6)	240	275	29 (4.5)	1.50 (38.10)			<b>125CH24A14X</b>
38 (965.2)	240	325	21 (3.3)	1.50 (38.10)			<b>125CH38A1X</b>
38 (965.2)	120	175	12 (1.9)	1.50 (38.10)			<b>125CH38A2X</b>
47 (1193.8)	240	260	14 (2.2)	1.50 (38.10)			<b>125CH47A1X</b>
47 (1193.8)	120	235	12 (1.9)	1.50 (38.10)			<b>125CH47A2X</b>
47 (1193.8)	120	375	20 (3.1)	1.50 (38.10)			<b>125CH47A3X</b>
47 (1193.8)	240	345	19 (2.9)	1.50 (38.10)			<b>125CH47A4X</b>
65 (1651.0)	240	420	16 (2.5)	1.50 (38.10)			<b>125CH65A1X</b>
65 (1651.0)	240	675	27 (4.2)	1.50 (38.10)			<b>125CH65A2X</b>
95 (2413.0)	240	1000	28 (4.3)	0.00 (0.00)			<b>125CH93A1X</b>

CONTINUED

Cable Heaters



## Cable Heaters

F.O.B.: St. Louis, Missouri

### Versatile, Standard Cable Heaters

#### Cable Heater Stock Units (Internal Thermocouple Not Available)

Straight Cable Length in (mm)	Volts	Watts	Watt Density W/in <sup>2</sup> W/cm <sup>2</sup>	No-Heat Length in (mm)	Lead Wire	Lead Protection	Code Number
<b>0.125 inch Diameter Round</b> (with ±10 percent wattage tolerance)							
126 (3200.4)	240	1500	30 (4.7)	0.00 (0.00)	48" (1219 mm)	Lead protection is available upon request	<b>125H126A4A</b>
150 (3810.0)	240	2000	34 (5.3)	0.00 (0.00)	swaged-in		<b>125H150A3A</b>
223 (5664.2)	240	3000	34 (5.3)	0.00 (0.00)	Fiberglass leads only		<b>125H223A1A</b>

#### 0.128 inch Square Cross-Section (with ±10 percent wattage tolerance)

12 (304.8)	120	200	36 5.6	1.50 (38.10)	14" (355.6 mm) Fiberglass unless otherwise specified	12" (304.8 mm) SS hose unless otherwise specified	<b>125PS12A24A</b>
12 (304.8)	240	200	36 5.6	1.50 (38.10)			<b>125PS12A23A</b>
20 (508.0)	120	300	31 4.8	1.50 (38.10)			<b>125PS20A37A</b>
20 (508.0)	240	300	31 4.8	1.50 (38.10)			<b>125PS20A38A</b>
30 (762.0)	120	450	30 4.7	1.50 (38.10)			<b>125PS30A47A</b>
30 (762.0)	240	450	30 4.7	1.50 (38.10)			<b>125PS30A48A</b>
38 (965.2)	240	600	31 4.8	1.50 (38.10)			<b>125PS38A23A</b>

#### Cable Heater Stock Units (Type J Internal Thermocouple)

Straight Cable Length in (mm)	Volts	Watts	Watt Density W/in <sup>2</sup> (W/cm <sup>2</sup> )	No-Heat Length in (mm)	Lead Wire	Lead Protection	Code Number
<b>0.125-inch Diameter Round</b> (with ±10 percent wattage tolerance), Thermocouple located in center of heated section.							
24 (609.6)	120	275	29 (4.5)	1.50 (38.10)	48" (1219 mm)	Lead protection is available upon request	<b>125CH24A13X</b>
38 (965.2)	120	175	12 (1.9)	1.50 (38.10)	swaged-in		<b>125CH38A18X</b>
47 (1193.8)	120	235	13 (2.0)	1.50 (38.10)	Fiberglass		<b>125CH47A21X</b>
65 (1651.0)	240	675	26 (4.0)	1.50 (38.10)	leads only		<b>125CH65A26X</b>

#### NEW OFFERING

#### 0.157-inch Diameter Round (with ±10 percent wattage tolerance), Thermocouple located at the disk end of the cable.

124 (3149.6)	240	1500	25 (3.9)	0.00 (0.00)	48" (1219 mm)	Lead protection is available upon request	<b>157CH124AX</b>
150 (3810.0)	240	2000	27 (4.2)	0.00 (0.00)	swaged-in		<b>157CH150AX</b>
220 (5588.0)	240	3000	28 (4.3)	0.00 (0.00)	Fiberglass leads only		<b>157CH220AX</b>

#### 0.128 inch Square Cross-Section (with ±10 percent wattage tolerance), Thermocouple located in center of heated section.

12 (304.8)	240	200	36 (5.6)	1.50 (38.10)	48" (1219 mm)	Lead protection is available upon request	<b>125PS12A22A</b>
20 (508.0)	120	300	31 (4.8)	1.50 (38.10)	swaged-in		<b>125PS20A35A</b>
20 (508.0)	240	300	31 (4.8)	1.50 (38.10)	Fiberglass		<b>125PS20A36A</b>
30 (762.0)	240	450	30 (4.7)	1.50 (38.10)	leads only		<b>125PS30A46A</b>
38 (965.2)	240	600	31 (4.8)	1.50 (38.10)			<b>125PS38A24A</b>

Sales@ptsheat.com

Dave Farmery  
Ben Midulla



Toll Free Phone/Fax

844-787-4328  
844-PTS HEAT

www.PhoenixThermalSupply.com