

Phoenix **Thermal** Supply

We offer Round Cable Heaters and Cross-Section square cable heaters. Our Round stock units are: .062", .094", .125", and .157". These units are stock with and without thermocouples. We also offer square cross-section heaters. Our Square Cross-section heaters are: .128"

The Phoenix Thermal 1.8 x 3.2 coil heater delivers the performance of standard Phoenix Thermal's coil heaters in a thinner profile. The 1.8mm height allows system designers to place drops closer to waterlines, enabling a smaller footprint. The 3.2mm width delivers higher wattage per linear inch compared to mini coils.

The 1.8 x 3.2mm coil heater single transition head can be built with optional moisture resistant construction to reduce reliance on soft starting in high humidity environments. Where higher wattage is required in constrained spaces, the 1.8 x 3.2mm coil heater delivers the heating performance you need.



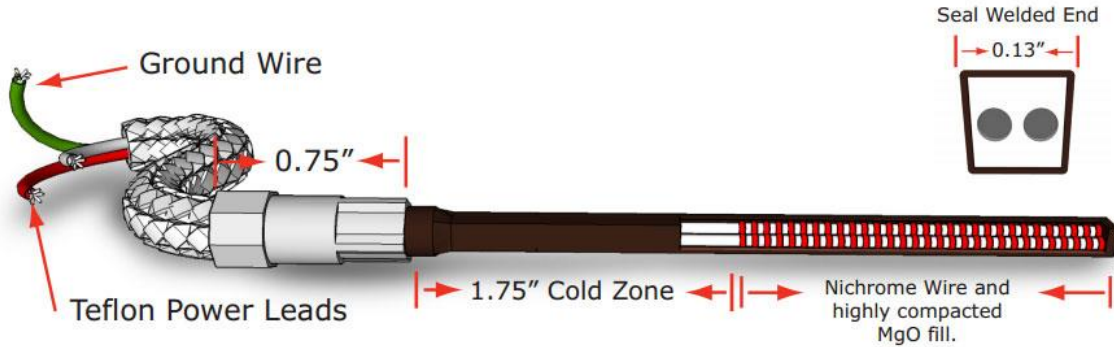
All of our cable heaters can be formed to a flat spiral, sinuated configuration, star wound, closed coil without distributed wattage, or closed coil with distributed wattage.

Standard Lead Orientations



Phoenix Thermal Supply

STANDARD FEATURES



- Internal Type J thermocouples are available for precise temperature control.
- 0.130 Square cross section is standard.

Sales @ ptsheat.com

Dave Farmery
Ben Midulla



Toll Free Phone/Fax

844-787-4328
844-PTS HEAT

www.PhoenixThermalSupply.com