

# Phoenix **Thermal** Supply

## *Ceramic Light Duty Terminal Block (Enclosed Terminals)*

### Design Features

- **Agency Approval:** CE, VDE
- **Maximum Voltage:** 380 VAC
- **Maximum Current:** 30 Amp
- **Body Material:** Porcelain
- **Wire Gauge:** 26 to 10 ga.
- **Screw:** M3, zinc-plated steel, yellow chromated
- **Maximum Temperature:** 240°C/464°F

Used for heater and thermocouple wiring in high temperature locations.



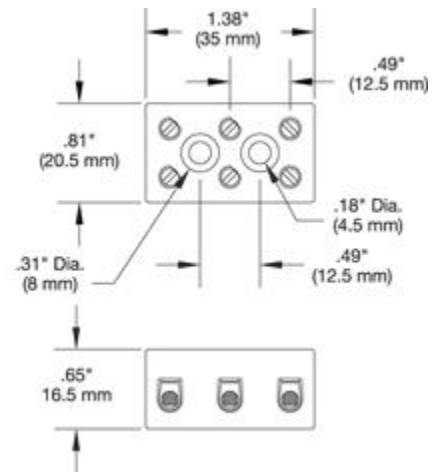
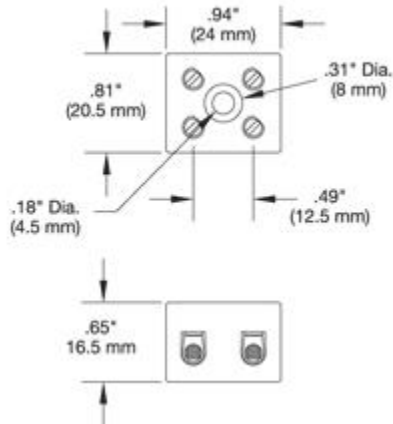
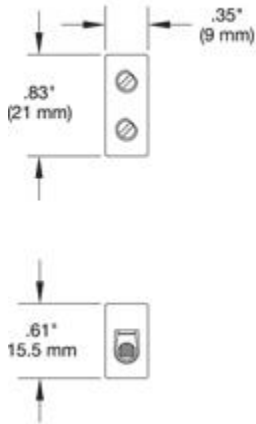
Part Number: EHD-108-116



Part Number: EHD-108-117



Part Number: EHD-108-118



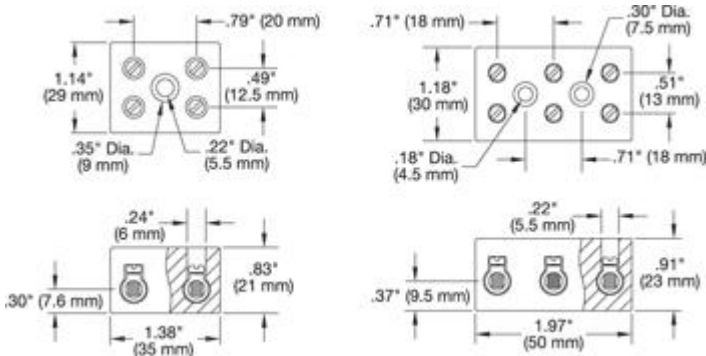
# Phoenix Thermal Supply

## *Ceramic Heavy Duty Terminal Block (Enclosed Terminals)*

### Design Features

- **Agency Approval:** UL
- **Maximum Voltage:** 600 VAC
- **Maximum Current:** 50 Amp
- **Body Material:** Porcelain
- **Wire Gauge:** 14 to 8 ga.
- **Screw:** M3, zinc-plated steel, yellow chromated
- **Maximum Temperature:** 240°C/464°F

Used for heater and thermocouple wiring in high temperature locations.



Part Number: EHD-108-114



Part Number: EHD-108-115

# Phoenix **Thermal** Supply

## *Standard Ceramic Terminal Block for Internal Wiring*

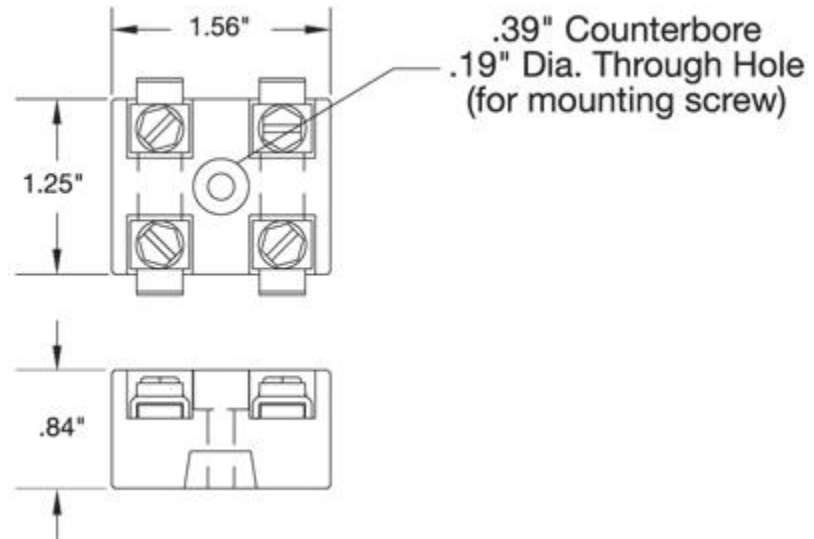
### Design Features

- **Maximum Voltage:** 600VAC
- **Maximum Current:** 20 Amp
- **Maximum Temperature:** 450°C/842°F
- **Wire Gauge:** 20 to 12 ga.
- **Terminals:** Number 8 Screw
- **Hardware:** Stainless Steel
- **Body Material:** As Fired Steatite

Used for heater and thermocouple wiring in high temperature locations.



**Part Number: EHD-108-101**



# Phoenix **Thermal** Supply



Part Number: EHD-108-121

